

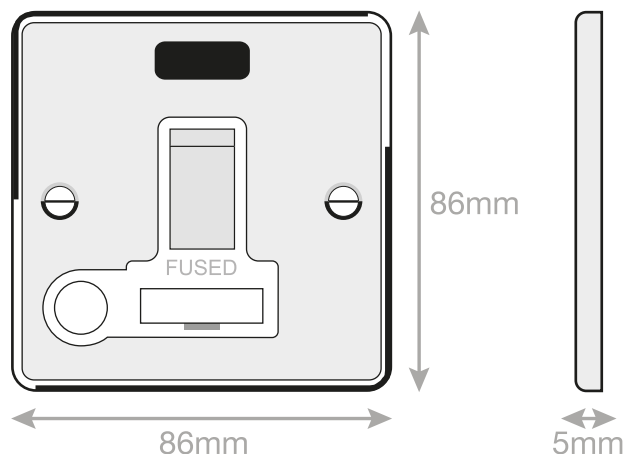
Data Sheet : DSL330



Intertek



Electrical & Lighting Products



Code	DSL330
Description	13 Amp Fused Connection Unit with Neon & Flex Outlet - Switched
Size	86mm x 86mm x 5mm depth
Range	Selectric 5M
Colour	Polished chrome with white insert & matching metal rocker
Material	Premium grade steel
Included	M3.5 fixing screws & wiring instructions
Weight	0.22kg
Inner Carton Quantity	10
Inner Carton Weight	2.2kg
Guarantee	5 year plate guarantee
Barcode	5025117983300
Commodity Code	85369085
Standards	BS 1363-4
Notes	<ul style="list-style-type: none"> • ASTA approved • Fused Spur or Connection Unit is commonly used for powerful electrical appliances, such as washing machines, dish washers, extractor fans, hand dryers etc, that need to be installed without a plug. They are also used for electrical items that need to be installed on a separate cable from the ring main, for safety and maintenance purposes • Modular and Euro Media products available within the range • Minimum back box size required: 25mm depth