

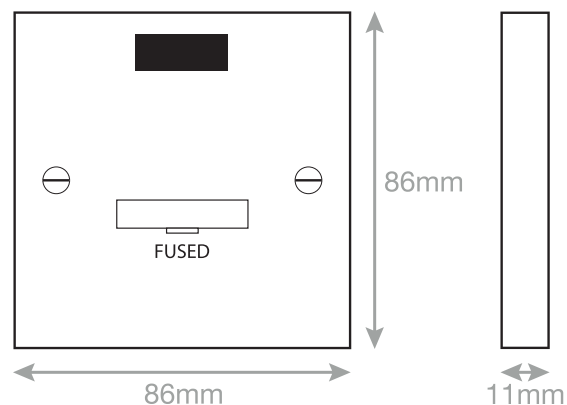
# Data Sheet : LG9228N



Intertek



Electrical & Lighting Products



<b>Code</b>	LG9228N
<b>Description</b>	13 Amp Fused Connection Unit with Neon - Unswitched
<b>Size</b>	86mm x 86mm x 11mm depth
<b>Range</b>	Selectric Square
<b>Colour</b>	White
<b>Material</b>	Bakelite
<b>Included</b>	M3.5 fixing screws
<b>Weight</b>	0.15kg
<b>Inner Carton Quantity</b>	10
<b>Inner Carton Weight</b>	1.5kg
<b>Guarantee</b>	25 years
<b>Barcode</b>	5025117192283
<b>Commodity Code</b>	85369085
<b>Standards</b>	BS 1363-4
<b>Notes</b>	<ul style="list-style-type: none"> <li>• ASTA approved</li> <li>• A Fused Spur or Connection Unit is commonly used for powerful electrical appliances, such as washing machines, dish washers, extractor fans, hand dryers etc, that need to be installed without a plug. They are also used for electrical items that need to be installed on a separate cable from the ring main, for safety and maintenance purposes</li> <li>• Modular and Euro Media products available within the range</li> <li>• Minimum back box size required: 25mm depth</li> </ul>