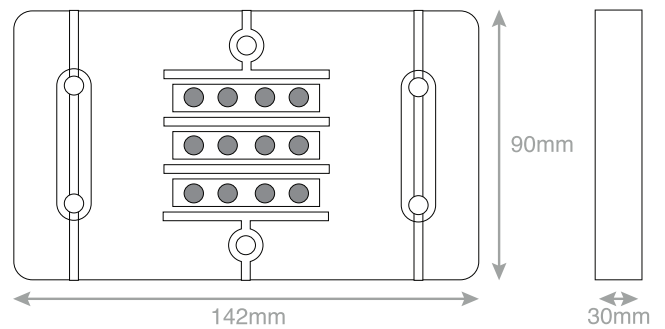
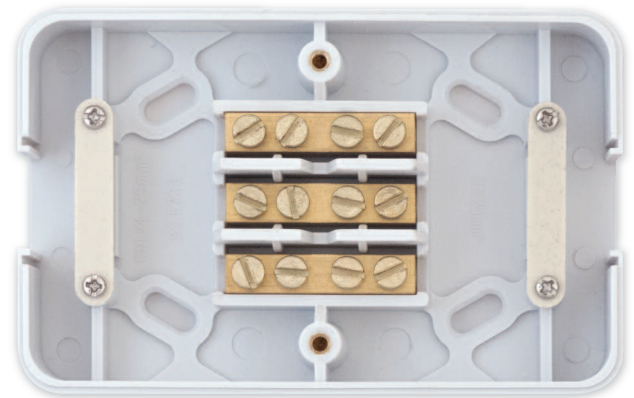


# Data Sheet : LGK829



<b>Code</b>	LGK829
<b>Description</b>	60 Amp Junction Box 3 x 2.5mm Terminals - White
<b>Size</b>	142mm x 90mm x 30mm
<b>Range</b>	Selectric Square
<b>Colour</b>	White
<b>Material</b>	Urea body, brass Connectors
<b>Weight</b>	0.7kg
<b>Inner Carton Quantity</b>	5
<b>Inner Carton Weight</b>	3.5kg
<b>Barcode</b>	5025117998526
<b>Commodity Code</b>	85369085
<b>Standards</b>	BS 7671
<b>Notes</b>	<ul style="list-style-type: none"> <li>• An electrical junction box is an enclosure, housing electrical connections, to protect the connections and provide a safety barrier. It is used mostly in ceilings, under floors or concealed behind an access panel – particularly in domestic or commercial buildings</li> </ul>