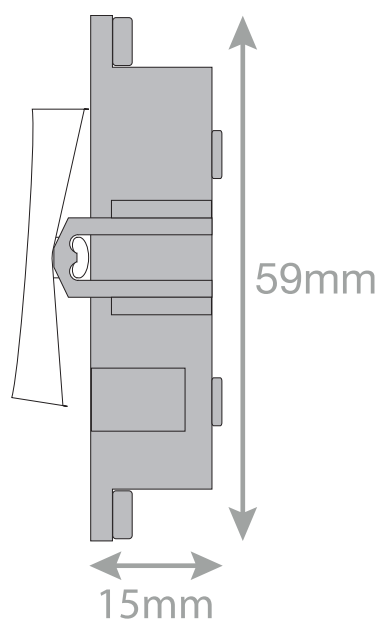
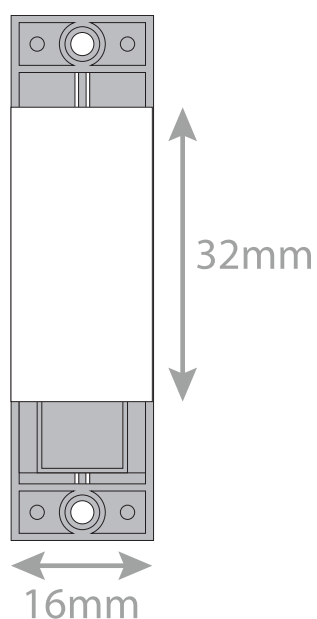


Data Sheet :

M-201-2



Code	M-201-2
Description	10 Amp 2 Way Modular Switch – X-Rated
Size	Overall Size: 59 x 16 x 15mm / Switch Size: 32 x 16mm
Range	Selectric Square Modules
Colour	White
Included	Fixing screws
Material	Polycarbonate Housing, Urea Front & Copper Terminals
Weight	0.020kg
Inner Carton Quantity	50
Inner Carton Weight	1kg
Guarantee	25 years
Barcode	5025117986592
Commodity Code	85369085
Standards	BS EN 60669-1
Notes	<ul style="list-style-type: none"> • X-Rated for fluorescent or inductive loads • For use with Selectric Square & Metal Clad modular plates • Minimum backing box depth required: 16mm