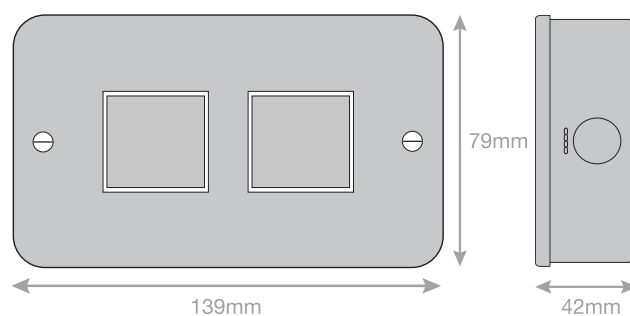
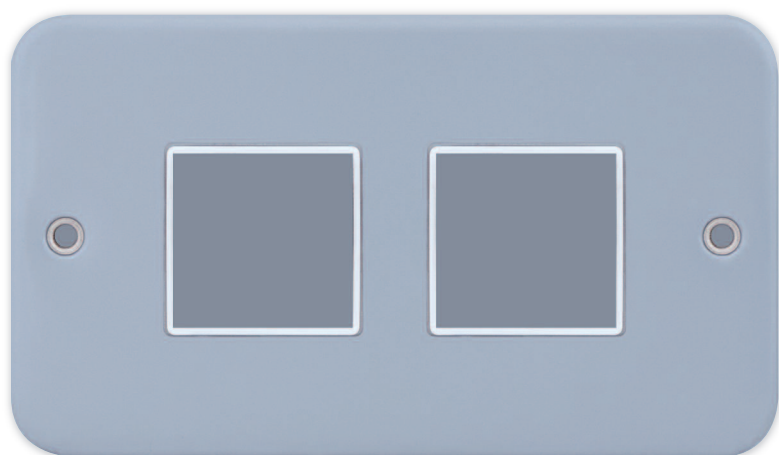


Data Sheet : MCP-4G



Code	MCP-4G
Description	4 Aperture Modular Plate (2 + 2) - Includes Back Box
Size	142mm x 79mm x 42mm
Range	Selectric Metal Clad Modular Plates (Unpopulated)
Colour	Grey (Aluminium Epoxy Powder Coating) White Insert
Included	M3.5 fixing screws & back box
Material	Steel with an aluminium epoxy powder coating
Weight	3.30kg
Inner Carton Quantity	10
Inner Carton Weight	33kg
Guarantee	15 years
Barcode	5025117000090
Commodity Code	85369085
Standards	BS 5733
Notes	<ul style="list-style-type: none"> • To fit (4 x single modules) or (2 x double modules) • Single module dimensions: 32 x 16mm • Double module dimensions: 32 x 32mm • For use with Selectric Square modules • Back box included