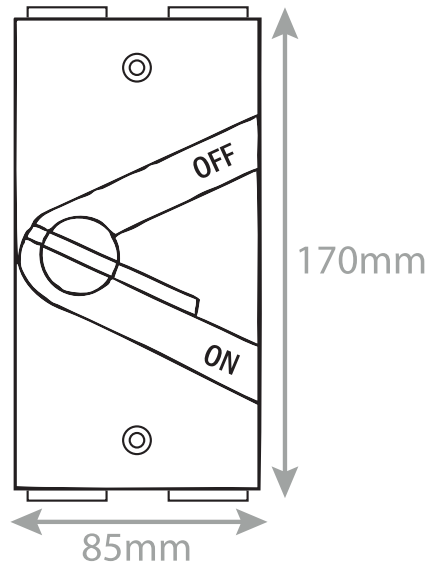


# Data Sheet : SS20A-RS



<b>Code</b>	SS20A-RS
<b>Description</b>	IP66 Rated 20 Amp / 10kW Weatherproof Isolator Switch - 4 Pole - 415V - Grey
<b>Size</b>	85mm (W) x 170mm (H) x 90mm (D)
<b>Range</b>	Selectric Seal - IP65 to IP68 Rated Accessories
<b>Colour</b>	Grey
<b>Knockouts?</b>	4 x knockouts to rear (20mm) • 4 x screw-out cable entries - 2 top + 2 bottom (25mm)
<b>Wall Mountable?</b>	Yes
<b>Lockable?</b>	Lockable in OFF position
<b>Amps / kW</b>	20 Amp - 10kW
<b>IP Rating</b>	IP66
<b>Included</b>	Fixing kit & instructions
<b>Weight</b>	0.45kg
<b>Inner Carton Quantity</b>	1
<b>Barcode</b>	5025117987216
<b>Standards</b>	BS EN 60947-3
<b>Notes</b>	<ul style="list-style-type: none"> <li>• The base mounted mechanism provides for easier termination and more wiring room</li> <li>• Fixed earth and neutral connector bars with dual clamping screws per tunnel provide equal stripping lengths and secure clamping for all cables</li> <li>• Simply screw out the caps to insert cable and 2 x 25mm &amp; 4 x 20mm cut outs on back</li> <li>• A safety feature for mounting switches to metal structures is the insulating caps that cover base mounting screws to totally protect them from any live cables</li> <li>• The impact resistant base and cover will survive the hardest knocks in almost any installation</li> <li>• The two sections are sealed with a weather seal gasket</li> <li>• Heavy duty &amp; weatherproof, for indoor or outdoor use</li> <li>• IP66 Rated - Complete protection from dust, oil, and other non-corrosive material. Complete protection from contact with enclosed equipment. Protection from water, even from powerful jets of water</li> </ul>