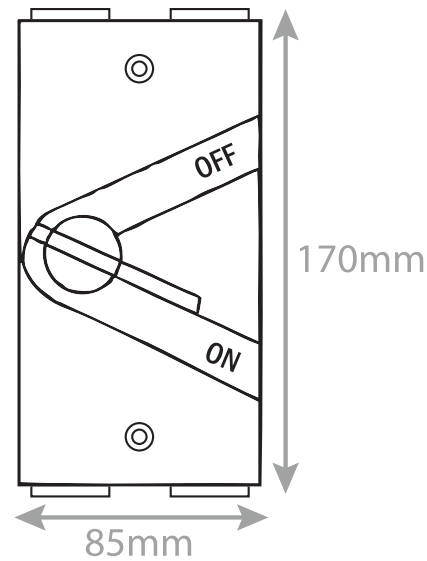


Data Sheet : SS35A-RS



Code	SS35A-RS
Description	IP66 Rated 35 Amp / 16kW Weatherproof Isolator Switch - 4 Pole - 415V - Grey
Size	85mm (W) x 170mm (H) x 90mm (D)
Range	Selectric Seal - IP65 to IP68 Rated Accessories
Colour	Grey
Knockouts?	4 x knockouts to rear (20mm) • 4 x screw-out cable entries - 2 top + 2 bottom (25mm)
Wall Mountable?	Yes
Lockable?	Lockable in OFF position
Amps / kW	35 Amp - 16kW
IP Rating	IP66
Included	Fixing kit & instructions
Weight	0.45kg
Inner Carton Quantity	1
Barcode	5025117987223
Standards	BS EN 60947-3
Notes	<ul style="list-style-type: none"> • The base mounted mechanism provides for easier termination and more wiring room • Fixed earth and neutral connector bars with dual clamping screws per tunnel provide equal stripping lengths and secure clamping for all cables • Simply screw out the caps to insert cable and 2 x 25mm & 4 x 20mm cut outs on back • A safety feature for mounting switches to metal structures is the insulating caps that cover base mounting screws to totally protect them from any live cables • The impact resistant base and cover will survive the hardest knocks in almost any installation • The two sections are sealed with a weather seal gasket • Heavy duty & weatherproof, for indoor or outdoor use • IP66 Rated - Complete protection from dust, oil, and other non-corrosive material. Complete protection from contact with enclosed equipment. Protection from water, even from powerful jets of water