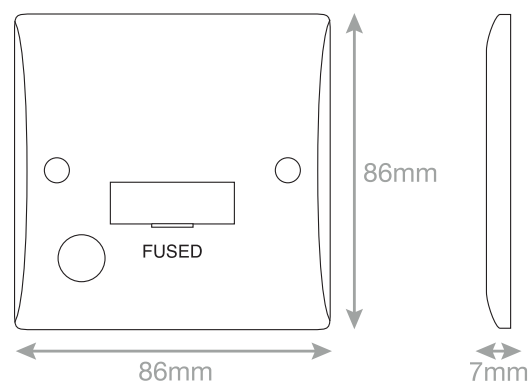


Data Sheet :

SSL529/F



| | |
|------------------------------|---|
| Code | SSL529/F |
| Description | 13 Amp Fused Connection Unit with Flex Outlet - Unswitched |
| Size | 86mm x 86mm x 7mm depth |
| Range | Selectric Smooth |
| Colour | White |
| Material | Bakelite |
| Included | M3.5 fixing screws & white blanking caps |
| Weight | 0.13kg |
| Inner Carton Quantity | 10 |
| Inner Carton Weight | 1.3kg |
| Guarantee | 30 years |
| Barcode | 5025117986530 |
| Commodity Code | 85369085 |
| Standards | BS 1363-4 |
| Notes | <ul style="list-style-type: none"> • A Fused Spur or Connection Unit is commonly used for powerful electrical appliances, such as washing machines, dish washers, extractor fans, hand dryers etc, that need to be installed without a plug. They are also used for electrical items that need to be installed on a separate cable from the ring main, for safety and maintenance purposes • Modular and Euro Media products available within the range • Minimum back box size required: 25mm depth |