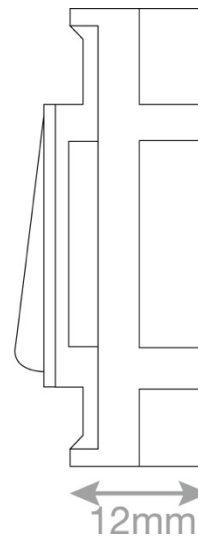
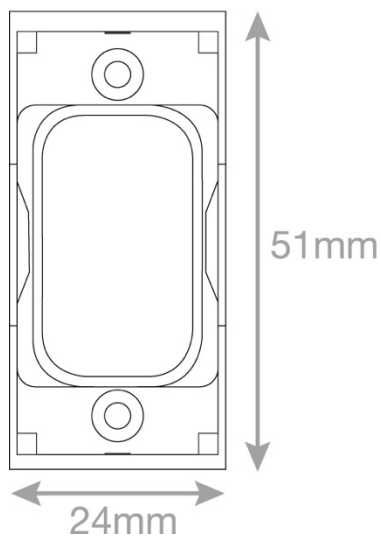


Data Sheet:
SGRID360-5



Code:	SGRID360-5
Description:	GRID360 Module - 10 Amp Retractive Switch
Range:	Selectric GRID360
Colour:	White, white insert
Ingress Protection:	IP20
Material:	Bakelite
Included:	M3.5 fixing Screws
Weight:	0.027kg
Inner Carton Quantity:	20
Inner Carton Weight:	0.54kg
Guarantee:	25 years
Barcode:	5025117011607
Commodity Code:	85369085
Standards:	BS EN 60669-1
Packaging:	Poly Bag with Euro Slot
Notes:	<ul style="list-style-type: none"> • Grid 360 products offer the most versatile option for wiring accessories • Easy to install with no need for yokes - modules screw directly into each plate • Over 300 items - thousands of combinations possible to suit every need • Sixteen plate finishes from 1 gang to 12 gang to compliment all current Selectric range



Selectric reserves the right to withdraw, improve, or modify any design without prior notification.
 Selectric cannot be held responsible for the incorrect application / installation of any product.