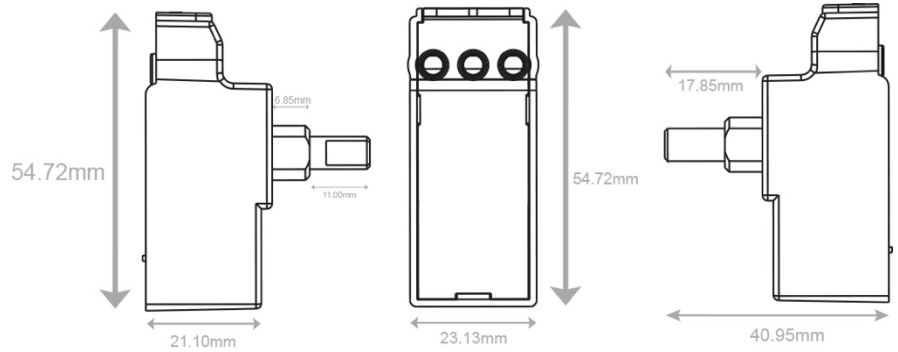
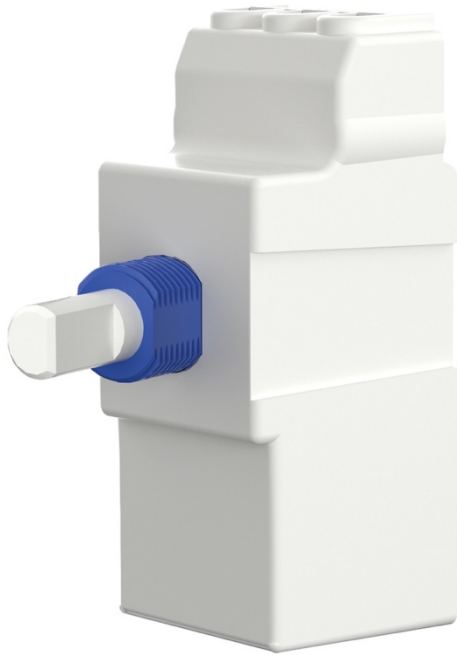


Data Sheet:
SL-200DD



Code:	SL-200DD
Description:	6A Dummy Dimmer Module - 2 Way
Range:	Selectric Square
Colour:	White
Ingress Protection:	IP20
Material:	Polycarbonate
Included:	Screws, nut & dimmer adaptor tool
Weight:	0.029kg
Inner Carton Quantity:	10
Inner Carton Weight:	0.29kg
Guarantee:	5 Years
Barcode:	5025117026847
Commodity Code:	85369085
Standards:	BS EN 60669-1
Packaging:	Poly Bag with Euro Slot
Notes:	<ul style="list-style-type: none"> • Fits most empty dimmer plates • Allows you to keep the same appearance of dimmer switches but function as push on/off switches • 6A for resistive load, 1000W for LED load • Also compatible with the GRID360 range • Minimum back box size required: 25mm depth



Selectric reserves the right to withdraw, improve, or modify any design without prior notification.
 Selectric cannot be held responsible for the incorrect application / installation of any product.