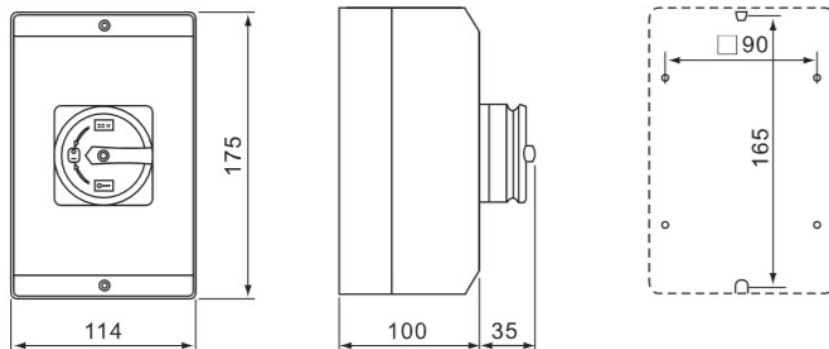


Data Sheet:
SSRI-SPEC32



Code:	SSRI-SPEC32
Description:	IP65 Rated 32 Amp / 16kW Weatherproof Rotary Isolator Switch - 4 Pole - 415V
Range:	Selectric Seal IP65 - IP68 Rated Accessories
Colour:	Grey, yellow & red
Ingress Protection:	IP65
Material:	Polycarbonate
Included:	Instructions
Weight:	0.73kg
Inner Carton Quantity:	1
Inner Carton Weight:	0.73kg
Guarantee:	1 year
Barcode:	5025117029763
Commodity Code:	8536 508090
Standards:	BS EN 60947-3
Packaging:	Box
Notes:	<ul style="list-style-type: none"> • On load switch disconnectors • Surface mounting with polycarbonate housing • The impact resistant base and cover will survive the hardest knocks in almost any installation • The two sections are sealed with a weather seal gasket • Heavy duty & weatherproof, for indoor or outdoor use • IP65 – Protected against dust that may harm equipment. Protected against water spray from all directions



Selectric reserves the right to withdraw, improve, or modify any design without prior notification.
 Selectric cannot be held responsible for the incorrect application / installation of any product.